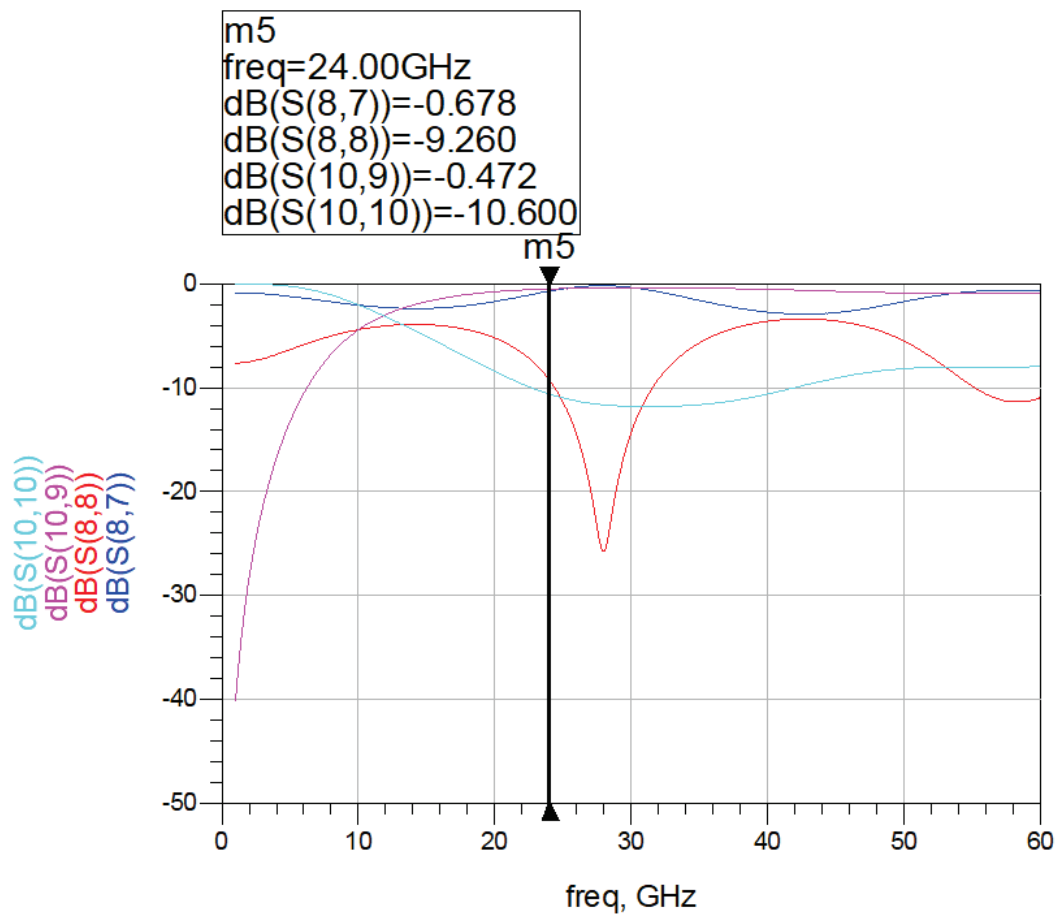
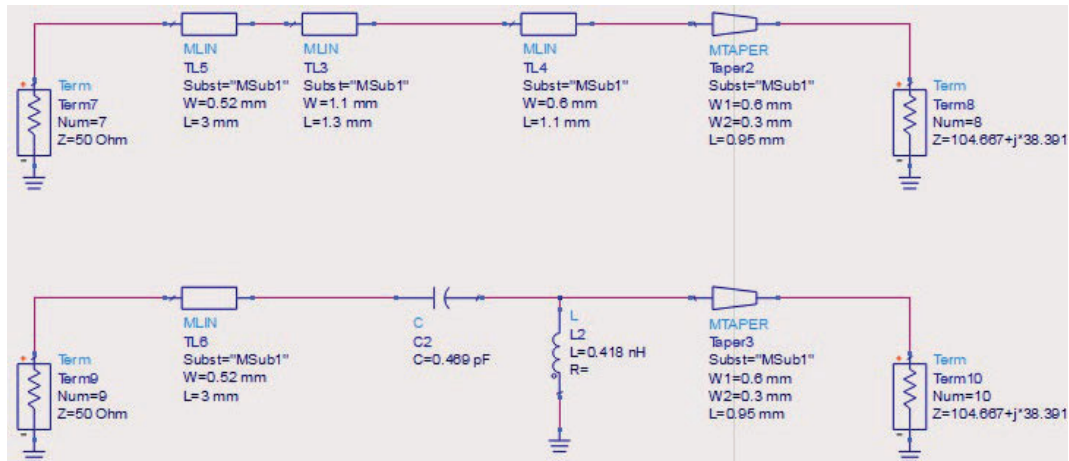




This impedance could match to the 50 ohm Transmission Line with an acceptable performance.

The comparison of performances between the Microstrip Version and the Lumped Version:



At 24GHz, the performances of Microstrip Version and the Lumped Version are similar, the Lumped Version has slightly better performance.