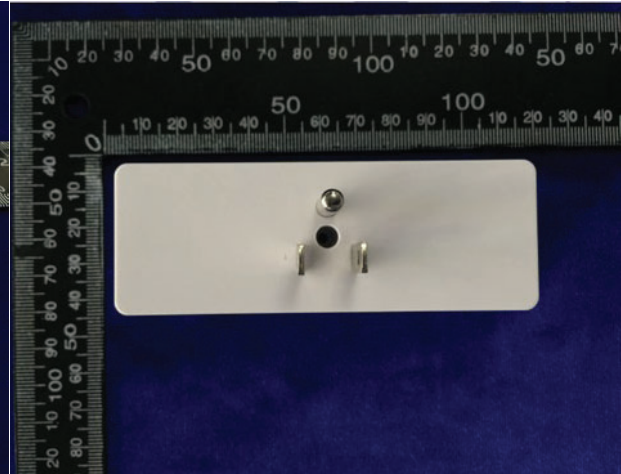




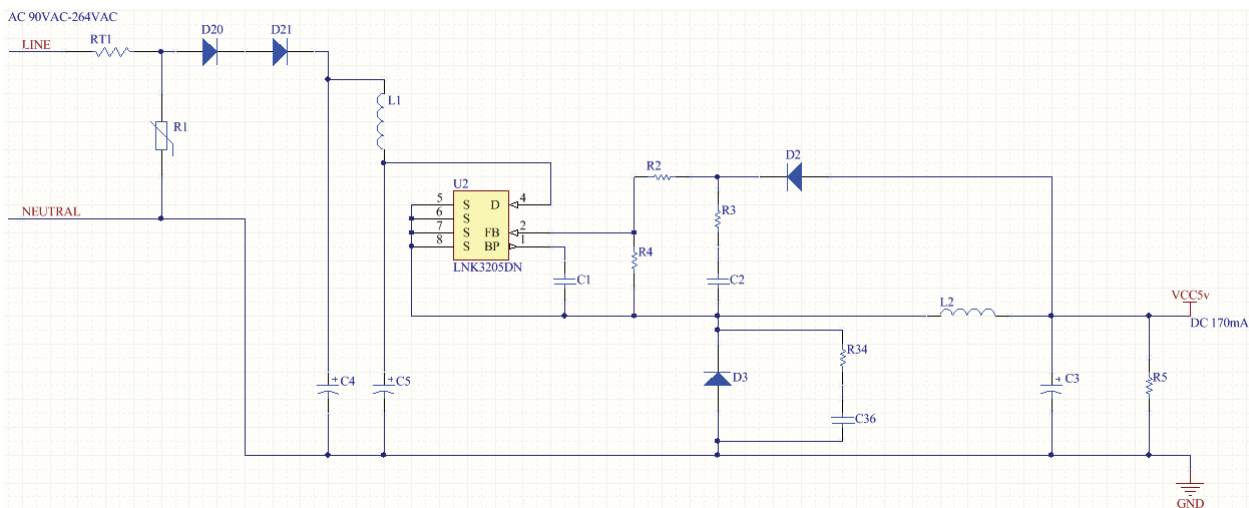
decided to design a new 5VDC Non-Isolated AC/DC based on Power Integrations LNK3205 which has capability to power up the whole product.

Part II: Theoretical Analysis and Calculation



Front view of product

Back view of product



5VDC Non-Isolated AC/DC Schematic

Design Requirements:

90VAC-264VAC Input, 5VDC 170mA Output. LNK3205's operation frequency is 66kHz (fsw).

1. Inductor L2

Calculation of the Inductance Value